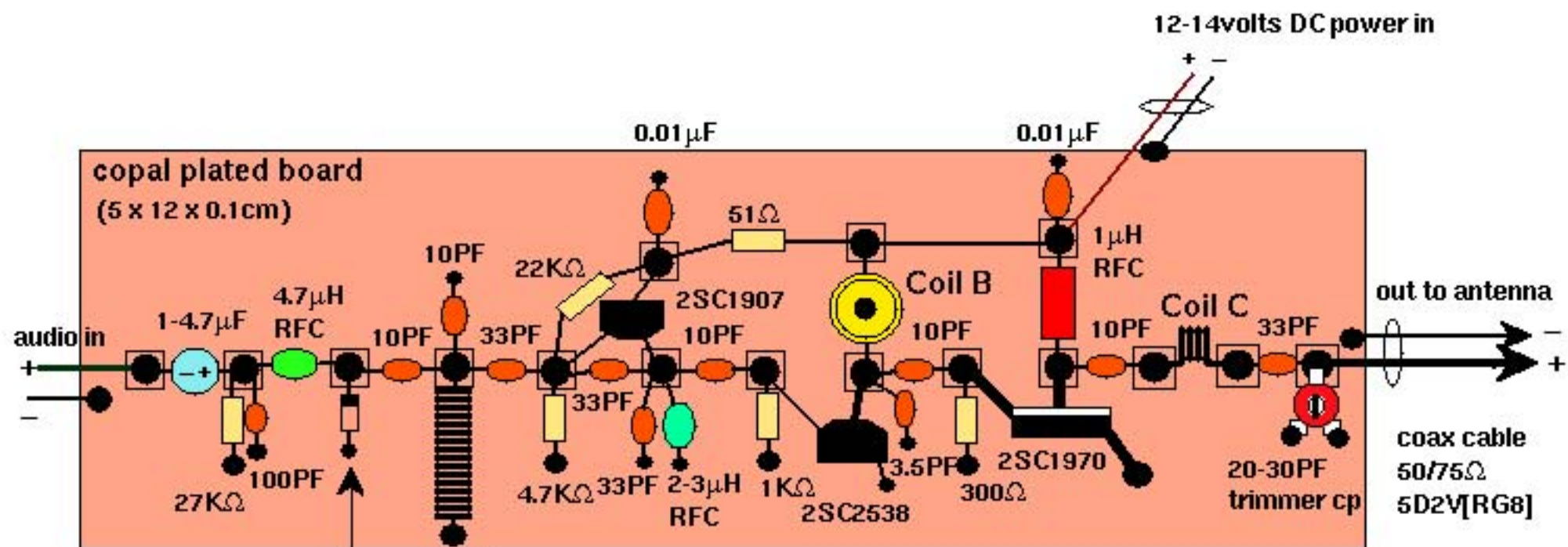


FM Transmitter for 88 - 108 MHz



soldered point:
● : direct to the ground
◻ : insulated from the ground

variable capacitance diode
IT33, ISV126 etc
2volts--->30pF

2SC1907	2SC2053	2SC1970
30V(vcb0) 2V(vebo) 0.05A(Ic) 0.3W(Pc)	40V(vcb0) 4V(vebo) 0.4A(Ic) 0.7W(Pc)	40V(vcb0) 4V(vebo) 0.6A(Ic) 5W(Pc)

The coil A and B can be hand-made by 1 mm wire.

Coil A 4mm
16 turns

Coil C 4mm
4 turns

Coil B 3-4 turn ready-made module coil

Maximum standards:

2003-12-09 by T.K.